

POWER SUPPLY STRIP

OPERATION MANUAL

B2012/B4012 (without pump module)
B2022/B4022 (with pump module)



Package contents: power supply strip (1 pc.), operation manual (1pc.), rule (1 pc.).

Safety directions

Every electric work should be done by an authorized person according to regulations in force and also to recommendations of a local power station. Before installation work switch off power supply!

Safety rules:

- Before removing a cover switch off supply voltage
- For cleaning power supply strip use a dry cloth.

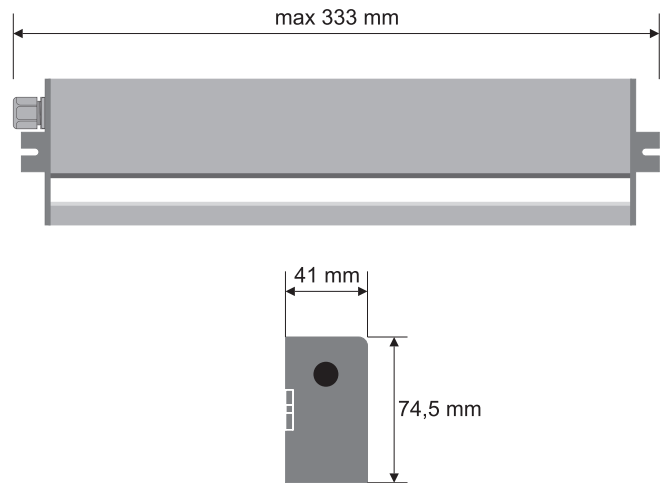
In a case of failure absolutely cut off a whole temperature control system in a room from power supply network..



12/2009 © Copyright KAN Sp z o.o. All rights reserved. Text, images and their arrangement in KAN publication are protected by proprietor's rights.

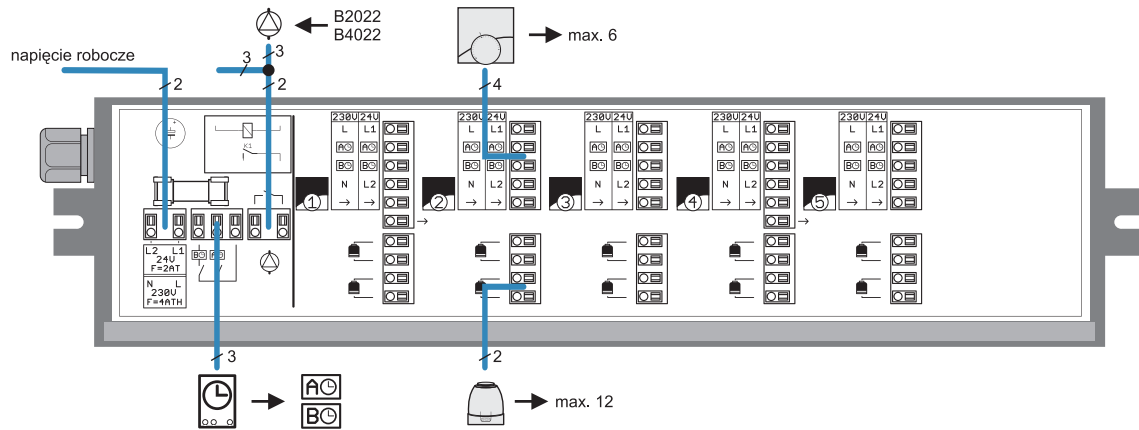
Technical specifications

PS strip code:	B2012/B2022	B4012/B4022
Operation voltage	230V	24V
Max. power consumption	50W	50W
Supply voltage	230V AC, 5A	230V AC, 5A
Fuse	T 4A H	T 2A H
Max. number of thermostats	6	6
Max. number of actuators	12	12
Optional heating programs	2	2
Protection class	II	II
Degree of protection	IP20	IP20
Working temperature	from 0 to 60°C	from 0 to 60°C
Storage temperature	from -25 to 60°C	from -25 to 60°C
Relative humidity (no condensation)	max 80%	max 80%
Dimensions (mm)	41 / 325 / 74,5	41 / 333 / 74,5
Wiegth	350g	350g
Recommended wire sections:	0,75 - 1,5 mm ²	0,75 - 1,5 mm ²



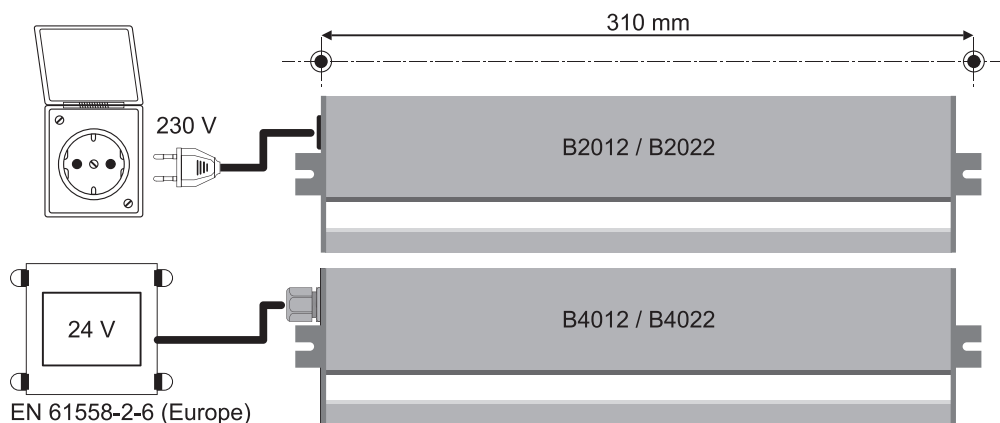
Designated use and working principle

A power supply strip is used to connect temperature control devices (actuators and thermostats) in an easy, simple and handy way.



KAN is not responsible for results of use non-conforming to its designated use.

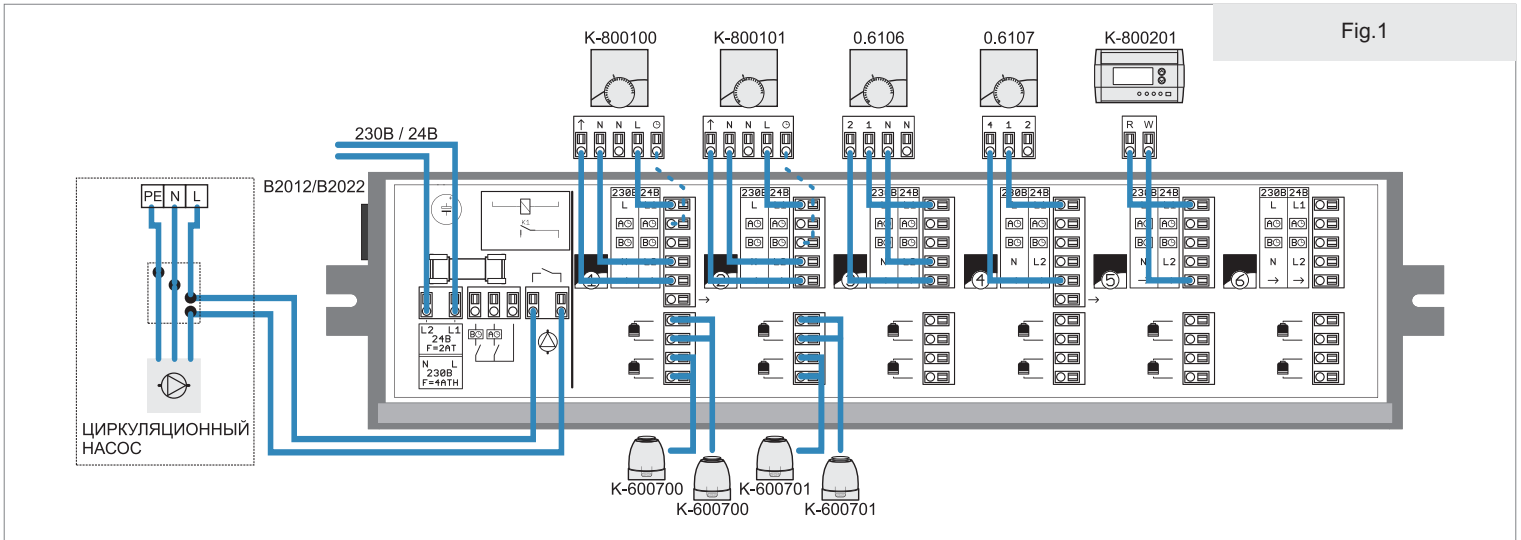
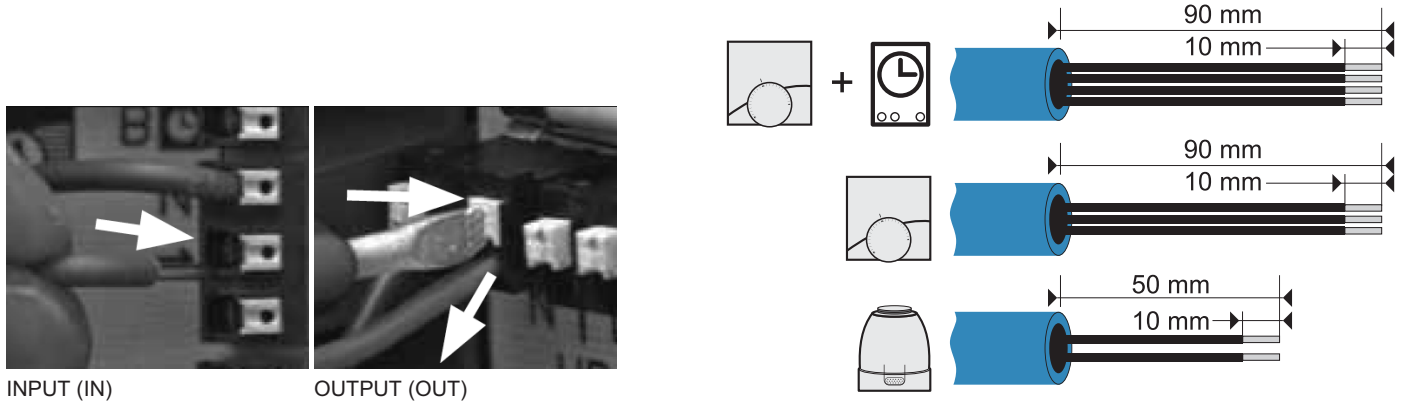
Connecting PS strip to a power network



EN 61558-2-6 (Europe)

Electric connection recommendation (Fig.1)

To fix a cable at the point of entry into the PS strip use latches to be broken off (at the bottom of a PS strip). Connect cables to terminals.



Connection of room thermostats and electric actuators (Fig. 2)

1. One or two electric actuators connected to one zone (standard).
2. Three or four electric actuators connected to one zone (option).

Timer connection (Fig. 3)

1. External timer connection with maximal two control circuits (A or B).
2. Room thermostat connection with a timer.

Room thermostat connection with a timer signal. (Fig. 4)

Connect A or B command signal to a room thermostat output - horizontal channel.

Pump connection (Fig. 5)

Having a pump connected to a PS strip it is possible to control it, i.e. to switch it ON/OFF depend on room temperature. Switching off a pump takes place automatically, if all electric actuators get closed. Switching on is also automatically, if any of electric actuator gets open.

