



Install your **future**

SYSTEM **KAN-therm**

ultra**LINE**

Ø**14-32** mm





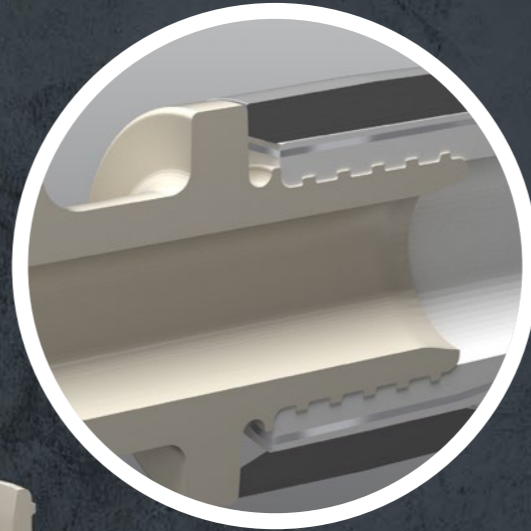
2 Symmetrical sliding sleeve

that allows both sides assembly



3 Optimal hydraulics

reduced pipe internal diameter narrowing and pressure loss



1 Flexible pipe selection

3 pipe types: PERTAL², PERT² and PEXC
2 fitting materials: brass and PPSU.
1 sleeve construction



4 270° assembly

guarantees easy installation, even in the most hard-to-reach places; design allows to approach with tools at an angle of up to 270°



8 Mechanical "bumpers"

in the construction of ultraLINE sliding sleeve forks protect fittings and sleeves from damage during assembling. Easy detection of loose connections



5 O-Ringless connections

no additional sealing - the profile of fitting nozzle guarantees 100% tightness and mechanical strength of the connection



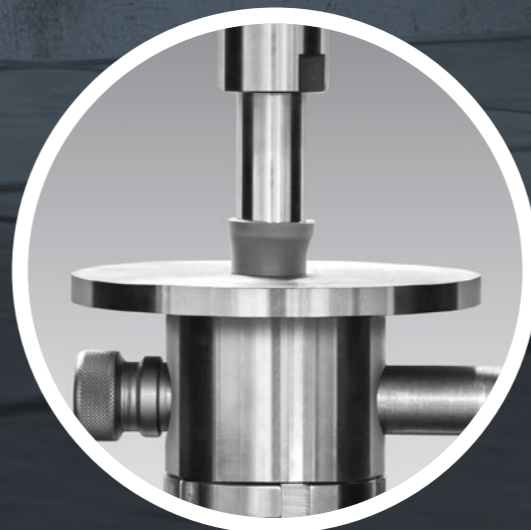
7 Stopper

elimination of contact between the aluminium layer and the brass body, corrosion risk reduction



6 Safety guarantee

exceptional strength proven under the toughest conditions



SYSTEM **KAN-therm** ultra**LINE**

is an **innovative and unique** technical solution on the installation market, designed for both standard **internal heating and potable water installations**, as well as **specialized piping systems**, e.g. compressed air systems.

3 pipe types, 2 fitting materials, 1 sleeve construction!

KAN-therm ultraLINE with **EVOH** layer

PEXC 14×2	PERT ² 14×2
PEXC 16×2,2	PERT ² 16×2,2
PEXC 20×2,8	PERT ² 20×2,8

KAN-therm ultraLINE with **aluminium** layer

PERTAL ² 14×2
PERTAL ² 16×2,2
PERTAL ² 20×2,8
PERTAL ² 25×2,5
PERTAL ² 32×3

A set of battery powered tools

Specially designed for safe and simple assembly of the system KAN-therm ultraLINE.

